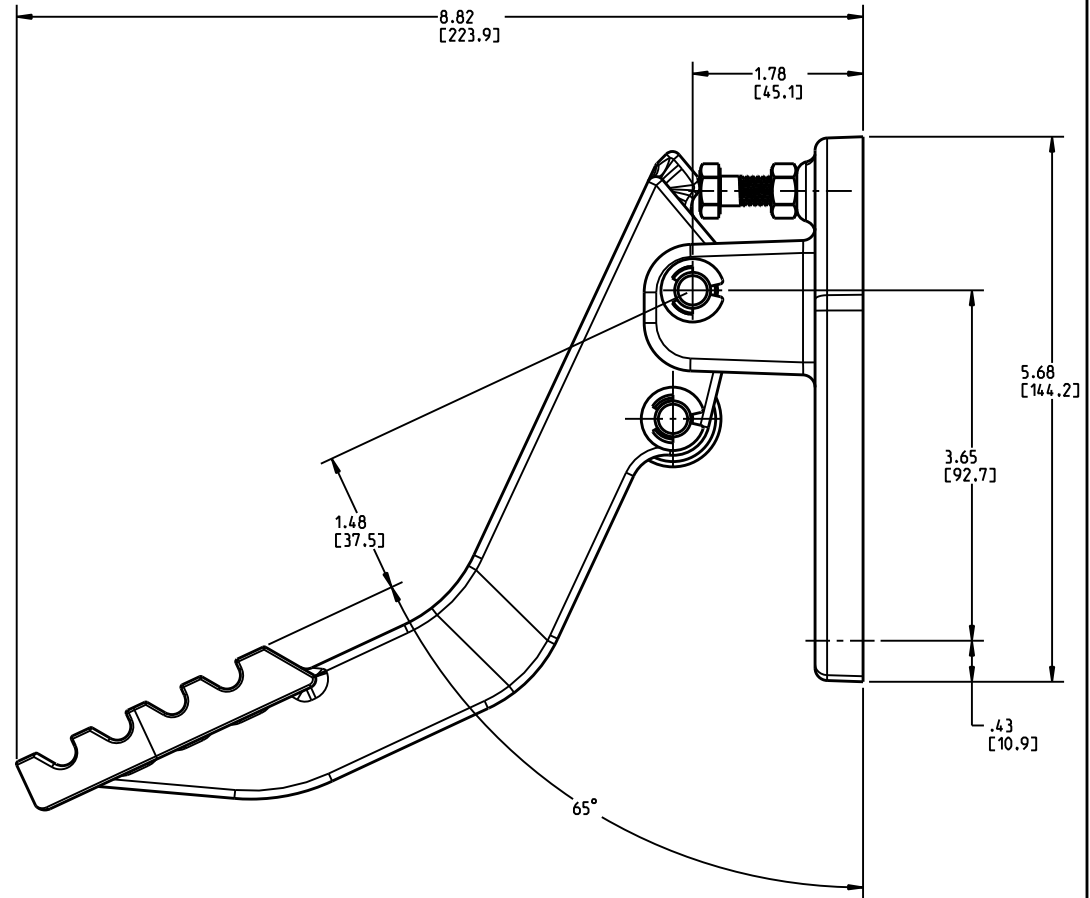
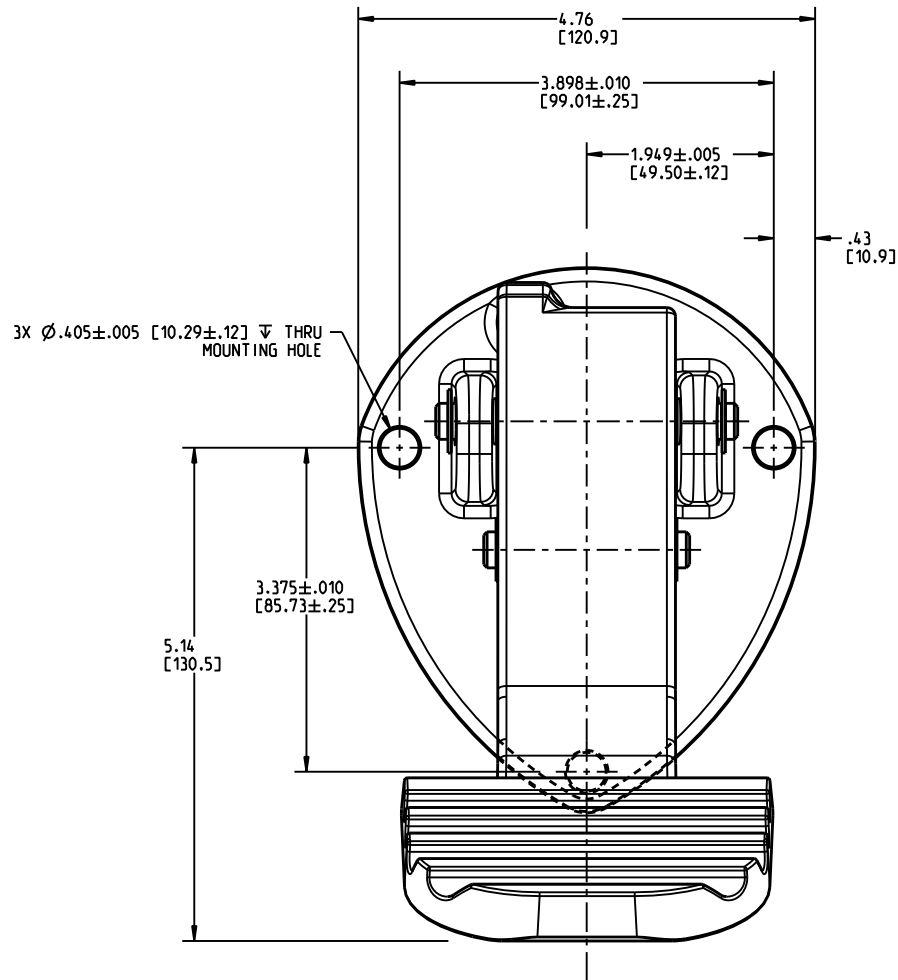


| |
|------------------------------|
| DRAWING NUMBER 29-910-089 |
| NPI OR ECN NO |
| ECN A000931 |



INCH
[MILLIMETER]

NOTES:

1) DIMENSIONS MAY VARY SLIGHTLY BETWEEN UNITS AND ARE FOR REFERENCE PURPOSES ONLY. MILLIMETER VALUES MAY NOT BE AN EXACT CONVERSION OF INCH VALUES.

COMPONENT AND SYSTEM RECOMMENDATIONS MADE BY MICO, INC ARE BASED ON INFORMATION SUPPLIED BY POTENTIAL USER AND/OR SYSTEM DESIGNER. THE POTENTIAL USER AND/OR DESIGNER MUST MAKE FINAL ACCEPTANCE AND APPROVAL OF COMPONENTS AND SYSTEM AFTER TESTING PERFORMANCE ON AN ACTUAL APPLICATION FOR WHICH SYSTEM WAS DESIGNED.

MICO, INC CLAIMS PROPRIETARY RIGHTS TO THE MATERIAL DISCLOSED IN THIS DOCUMENT. THIS DOCUMENT IS PROVIDED IN CONFIDENCE AND MAY NOT BE REPRODUCED OR DISCLOSED WITHOUT WRITTEN PERMISSION FROM MICO, INC. COPYRIGHT MICO, INC. ALL RIGHTS RESERVED.



| | | | | |
|----------------------|-----------------------------------|---------------|------------------------------|----------|
| SCALE 0.500 | TITLE PEDAL AND BASE ASSEMBLY | | | |
| DWN CL 2008-06-03 | APVD PROD ENGRG AB 26-JUN-2008 | SIZE A | DRAWING NUMBER 29-910-089 | REV B |
| X NO - | APVD ENGRG BSW 2008-06-04 | CUSTOMER COPY | | 3-1 |